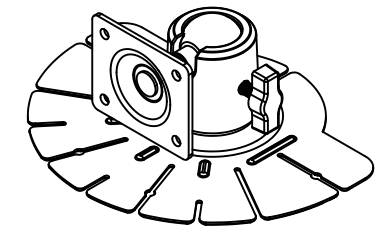
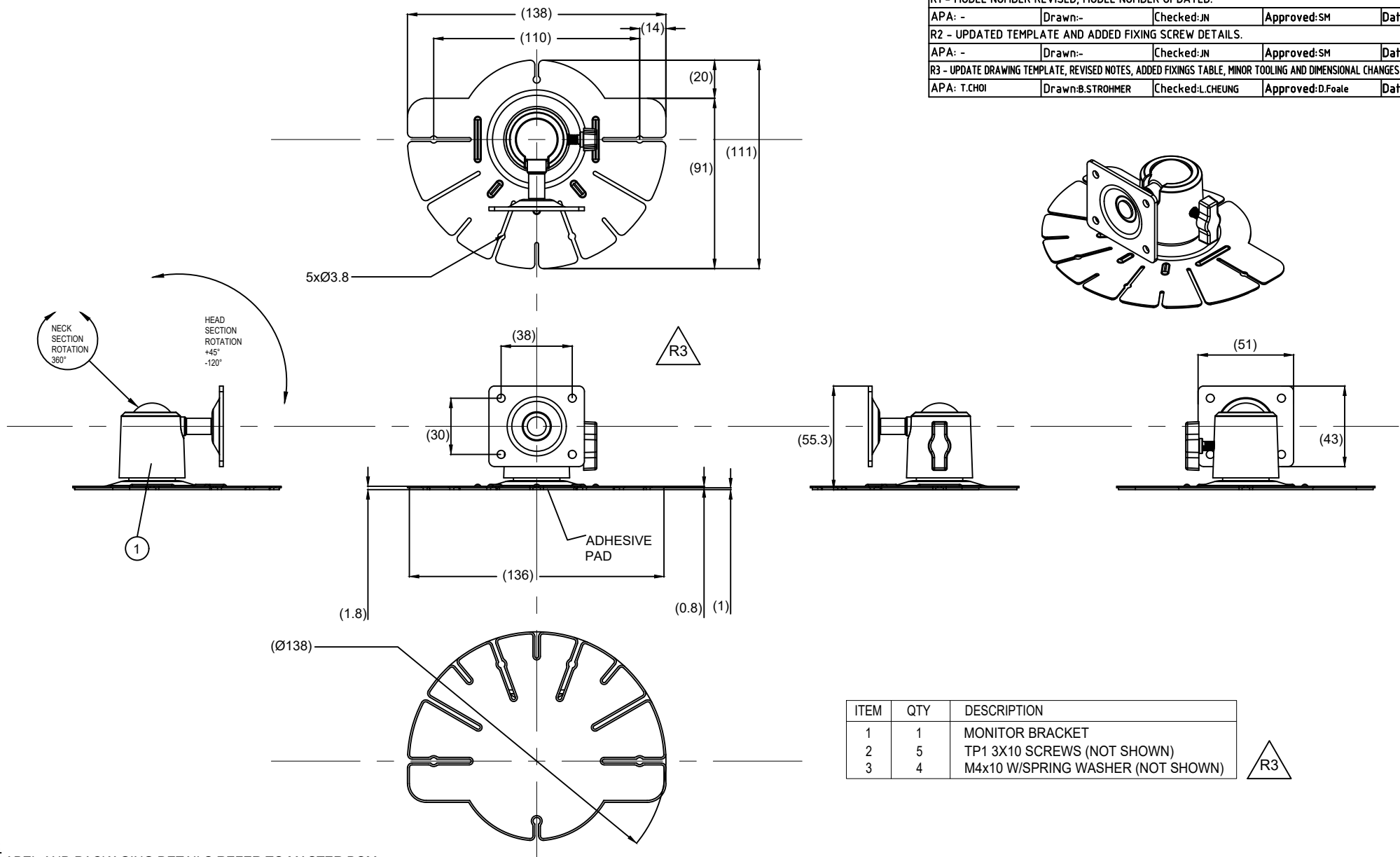


Revision Notes.				
R1 - MODEL NUMBER REVISED, MODEL NUMBER UPDATED.				
APA: -	Drawn:-	Checked:JN	Approved:SM	Date: 20/12/10
R2 - UPDATED TEMPLATE AND ADDED FIXING SCREW DETAILS.				
APA: -	Drawn:-	Checked:JN	Approved:SM	Date: 03/09/12
R3 - UPDATE DRAWING TEMPLATE, REVISED NOTES, ADDED FIXINGS TABLE, MINOR TOOLING AND DIMENSIONAL CHANGES AS PER CR-A156.				
APA: T.CHOI	Drawn:B.STROHMER	Checked:L.CHEUNG	Approved:D.Foale	Date: 04/07/25



ITEM	QTY	DESCRIPTION
1	1	MONITOR BRACKET
2	5	TP1 3X10 SCREWS (NOT SHOWN)
3	4	M4x10 W/SPRING WASHER (NOT SHOWN)

- NOTES:**
- FOR LABEL AND PACKAGING DETAILS REFER TO MASTER BOM.
  - ANY CUSTOMER MODIFICATION OF THIS PRODUCT CAUSING SUBSEQUENT FAILURE IS NOT A LIABILITY OF BRIGADE ELECTRONICS PLC.
  - BASE MATERIAL: EGI 0.8t
  - PAINT FINISH: BLACK SANDTON
  - WHEN SUPPLIED AS A SPARE PART, TO BE SUPPLIED IN A SUITABLE PLASTIC BAG WITH A GIFTBOX LABEL.
  - FOR SPARE PART GIFTBOX LABEL REFER TO LATEST REVISION OF DRAWING BE-001049-XX-10
  - ADHESIVE PAD: 3M VHB

**PROPRIETARY NOTICE**  
 THIS DESIGN AND TECHNICAL INFORMATION APPEARING ON THIS DRAWING IS THE PROPERTY OF BRIGADE ELECTRONICS, AND IS DISCLOSED IN CONFIDENCE. IT IS NOT TO BE COPIED, REPRODUCED, REVEALED TO OR EXPROPRIATED BY OTHERS, EITHER IN WHOLE OR IN PART WITHOUT THE EXPRESS WRITTEN CONSENT OF BRIGADE ELECTRONICS.



Sheet 1 of 1	Assembly Pl Approval TROY CHOI (30/08/12)	Approved by D.KERAI	Checked by J.NEWMAN	Drawn by M.BUTLER
Customer Approval -	Angle of Projection 	Units mm	Scale N/A	Released 16/10/10
		Status RELEASED	BMM-013	
		Part No 2161	BE-001297-03-10	